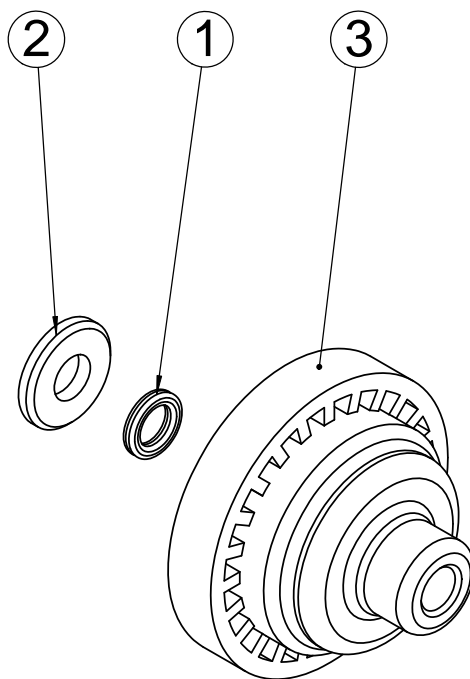


REVISIONS				
ECN	Rev.	Description	Date (dd/mm/yy)	Approved
F5362	E	13446-XX = On Drawing => 13446 /13446-20 / 13446-30	14/04/11	MP/ChT



DF/FILTER UF TWIN/LWU Fast Regen

ITEM	P/N	DESCRIPTION	13446	13446-20	13446-30
1	BU10209-01	QUAD RING DURO=60	1	1	1
2	BU13008	RETAINER, END PLUG SEAL	1	1	1
3	BU13243	PLUG, END, 5600/9000	1	-	-
	BU13243-20	PLUG,END,5600,GRAY	-	1	-
	BU13243-30	PLUG,END,5600,BLUE	-	-	1



END PLUG ASSY for
Residential Pistons DF/FILTER - UF Twin /LWU - Fast Regen

13446-XX